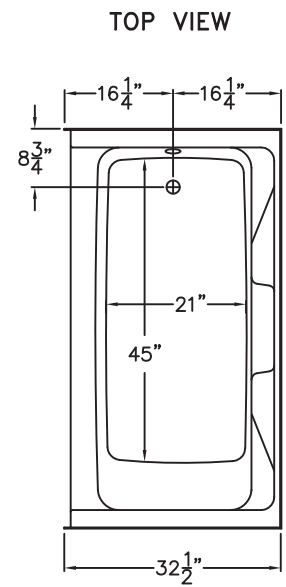
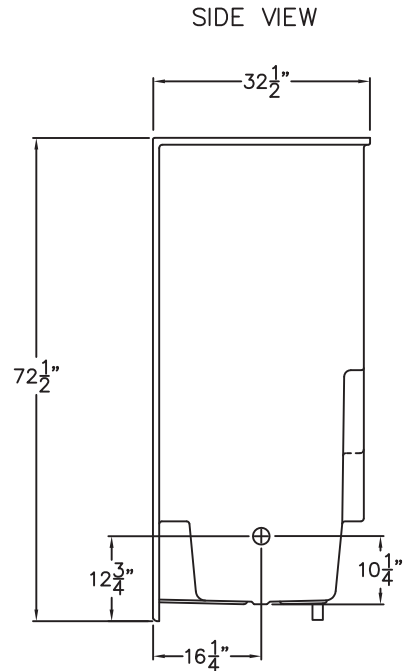
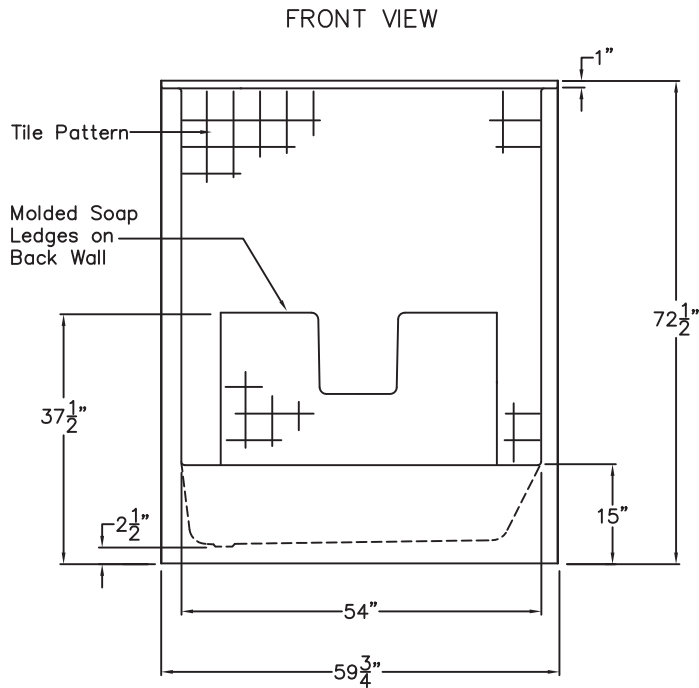


LUXURY ACRYLIC SERIES

SUBMITTAL DATA



Acrylic Simulated Tile Tub Shower

This tub shower shall be Praxis model TS 111 LH end drain. Finished surface shall be sanitary grade applied acrylic. The unit shall have outside dimensions of 59 3/4" x 32 1/2" x 72 1/2".

The unit shall meet IAPMOZ124-2011, and CSA B45.5-11.

The unit shall be equipped with the following factory installed accessories:

- 1) Molded soap ledges on the back wall,
- 2) Rectangular water well,
- 3) Simulated tile pattern on walls,
- 4) Left hand drain location,
- 5) 15" Apron/skirt.

Optional acrylic towel bar available.

DUE TO THE NATURE OF THE MATERIALS INVOLVED, UNIT DIMENSIONS MAY VARY ± 1/2 INCH.

Job Name:	PRAXIS
Approved By Print Name:	Drawing#: TS 111LH Tub Shower
Approved By Signature:	Date: 2-24-14 Revised: 11-10-16
Rep.:	Wholesaler: Quote No.:

PRAXIS INDUSTRIES, LLC.
 435 INDUSTRIAL RD - SAVANNAH, TN 38372
 1 (800) 443-7269 - FAX (731) 925-4290