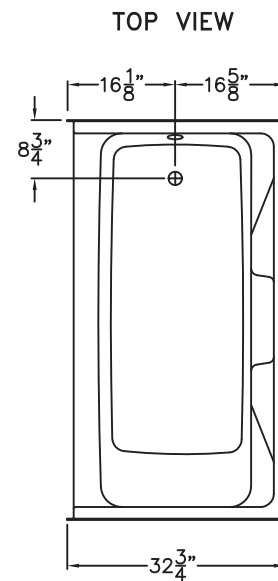
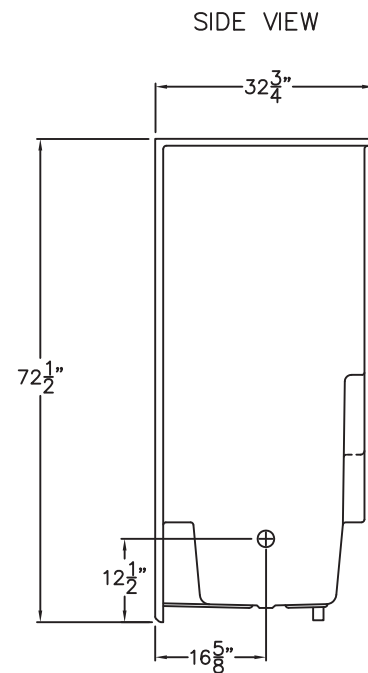
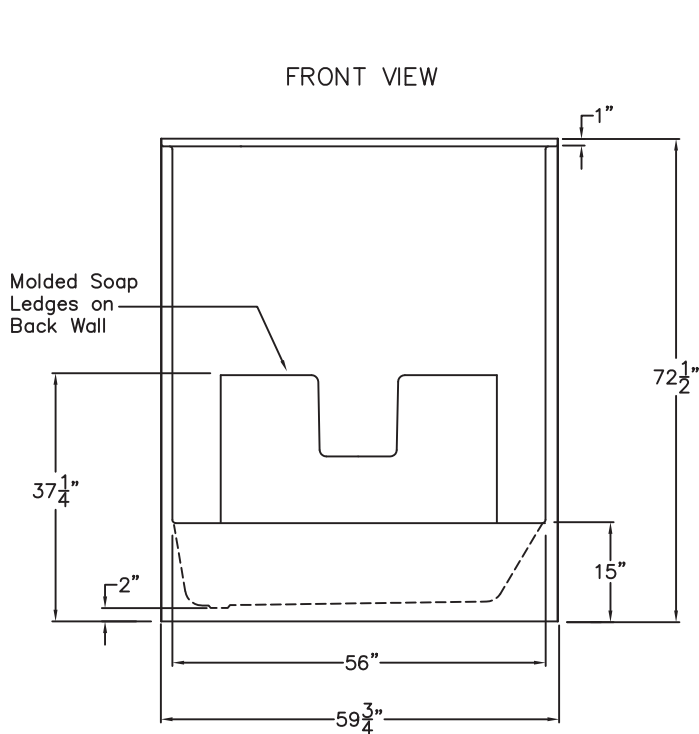


LUXURY ACRYLIC SERIES

SUBMITTAL DATA



Acrylic Tub Shower

This tub shower shall be Praxis model TS 121 LH end drain. Finished surface shall be sanitary grade applied acrylic. The unit shall have outside dimensions of 59 3/4" x 32 3/4" x 72 1/2".

The unit shall meet IAPMOZ124-2011, and CSA B45.5-11.

The unit shall be equipped with the following factory installed accessories:

- 1) Molded soap ledges on the back wall,
- 2) Rectangular water well,
- 3) Left hand drain location,
- 4) 15" Apron/skirt.

Optional acrylic towel bar available.

DUE TO THE NATURE OF THE MATERIALS INVOLVED, UNIT DIMENSIONS MAY VARY ± 1/2 INCH.

Job Name:	
Approved By Print Name:	PRAXIS
Approved By Signature:	Date Approved:
Rep.:	Wholesaler:

Drawing#: TS 121LH Tub Shower	
Date: 7-17-96	Revised: 11-10-16
Quote No.:	

PRAXIS INDUSTRIES, LLC.
 435 INDUSTRIAL RD - SAVANNAH, TN 38372
 1 (800) 443-7269 - FAX (731) 925-4290