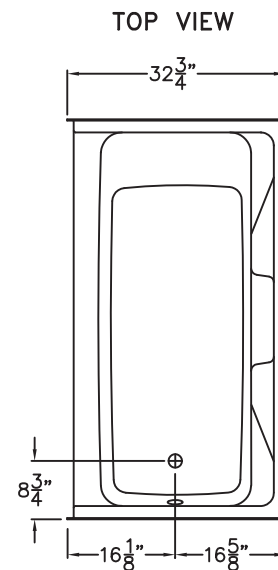
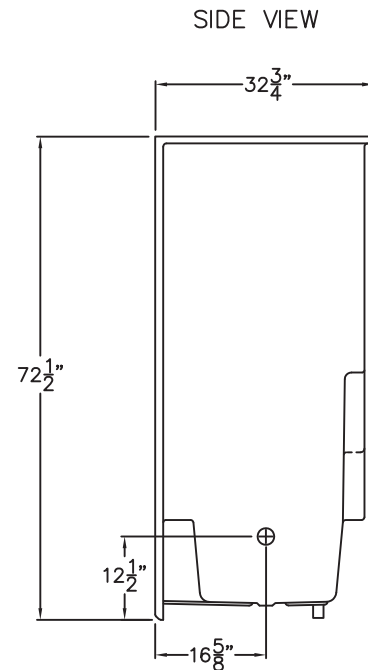
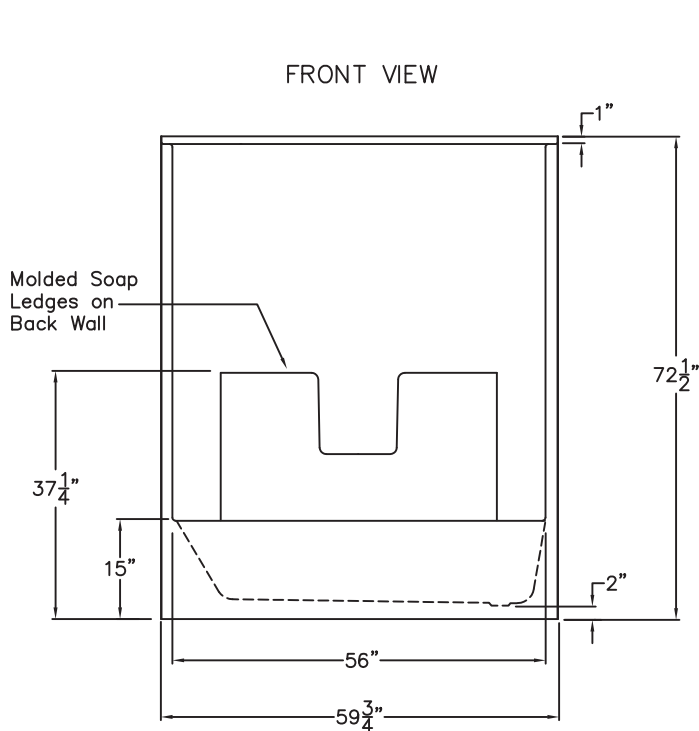


LUXURY ACRYLIC SERIES

SUBMITTAL DATA



Acrylic Tub Shower

This tub shower shall be Praxis model TS 126 RH end drain. Finished surface shall be sanitary grade applied acrylic. The unit shall have outside dimensions of 59 3/4" x 32 1/2" x 72 1/2".

The unit shall meet IAPMOZ124-2011, and CSA B45.5-11.

The unit shall be equipped with the following factory installed accessories:

- 1) Molded soap ledges on the back wall,
- 2) Rectangular water well,
- 3) Right hand drain location,
- 4) 15" Apron/skirt.

Optional acrylic towel bar available.

DUE TO THE NATURE OF THE MATERIALS INVOLVED, UNIT DIMENSIONS MAY VARY ± 1/2 INCH.

Job Name:	PRAXIS	
Approved By Print Name:	Drawing#: TS 126RH Tub Shower	
Approved By Signature:	Date Approved:	Date: 7-17-96 Revised: 11-10-16
Rep.:	Wholesaler:	Quote No.:

PRAXIS INDUSTRIES, LLC.
 435 INDUSTRIAL RD - SAVANNAH, TN 38372
 1 (800) 443-7269 - FAX (731) 925-4290