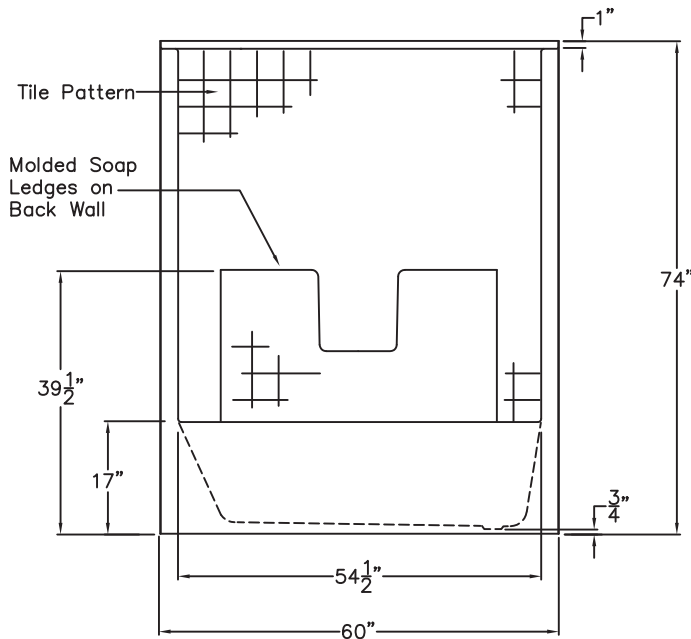


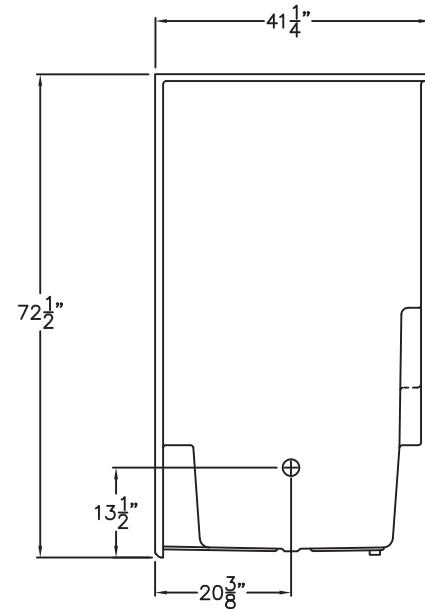
# LUXURY ACRYLIC SERIES

## SUBMITTAL DATA

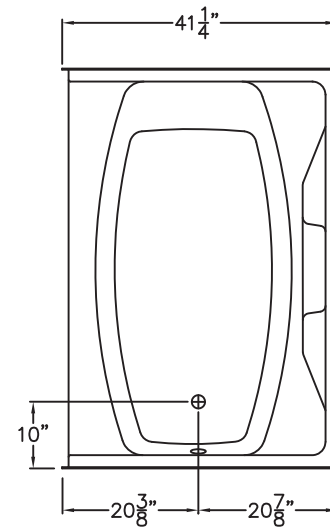
FRONT VIEW



SIDE VIEW



TOP VIEW



### Acrylic Simulated Tile Tub Shower

This tub shower shall be Praxis model TS 166 RH end drain. Finished surface shall be sanitary grade applied acrylic. The unit shall have outside dimensions of 60" x 41 1/4" x 74".

The unit shall meet IAPMOZ124-2011, and CSA B45.5-11.

The unit shall be equipped with the following factory installed accessories:

- 1) Molded soap ledges on the back wall,
- 2) Simulated tile pattern on walls,
- 3) Right hand drain location,
- 4) 17" Apron/skirt.

Optional acrylic towel bar available.

DUE TO THE NATURE OF THE MATERIALS INVOLVED, UNIT DIMENSIONS MAY VARY ± 1/2 INCH.

Job Name:		<b>PRAXIS</b>	
Approved By Print Name:		Drawing#: TS 166 RH Tub Shower	
Approved By Signature:	Date Approved:	Date: 7-17-96	Revised: 11-10-16
Rep.:	Wholesaler:	Quote No.:	

PRAXIS INDUSTRIES, LLC.  
 435 INDUSTRIAL RD - SAVANNAH, TN 38372  
 1 (800) 443-7269 - FAX (731) 925-4290