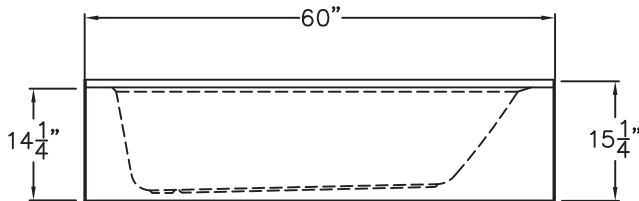


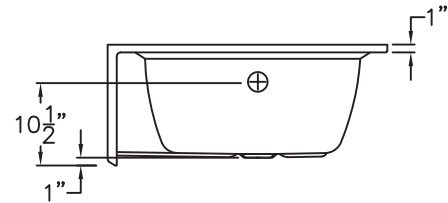
# LUXURY ACRYLIC SERIES

## SUBMITTAL DATA

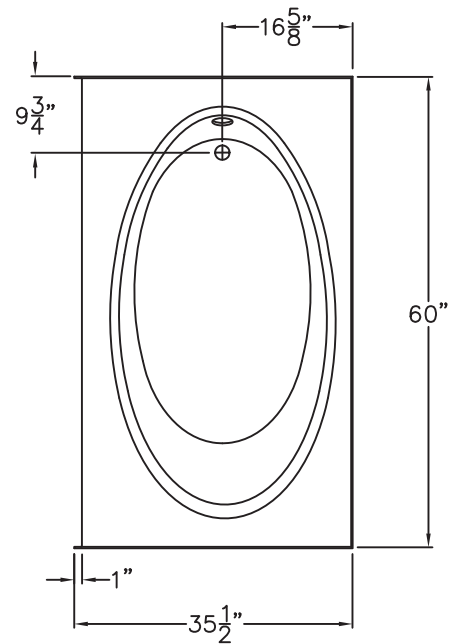
FRONT VIEW



SIDE VIEW



TOP VIEW



### Acrylic Bathtub

This bathtub shall be Praxis model TO 271 end drain. Finished surface shall be sanitary grade applied acrylic. The unit shall have outside dimensions of 60" x 35 1/2" x 15 1/4".

The unit shall meet IAPMOZ124-2011, and CSA B45.5-11.

The unit shall be equipped with the following factory installed accessories:

- 1) Molded perimeter mounting flange,
- 2) Oval water well,
- 3) End drain location,
- 4) 14 1/4" Apron/skirt.

DUE TO THE NATURE OF THE MATERIALS INVOLVED, UNIT DIMENSIONS MAY VARY ± 1/2 INCH.

<b>Job Name:</b>	<b>PRAXIS</b>
<b>Approved By Print Name:</b>	<b>Drawing#: TO 271 LH</b>
<b>Approved By Signature:</b>	<b>Date: 7-17-96</b> <span style="float: right;"><b>Revised: 11-10-16</b></span>
<b>Rep.:</b>	<b>Quote No.:</b>

PRAXIS INDUSTRIES, LLC.  
 435 INDUSTRIAL RD - SAVANNAH, TN 38372  
 1 (800) 443-7269 - FAX (731) 925-4290