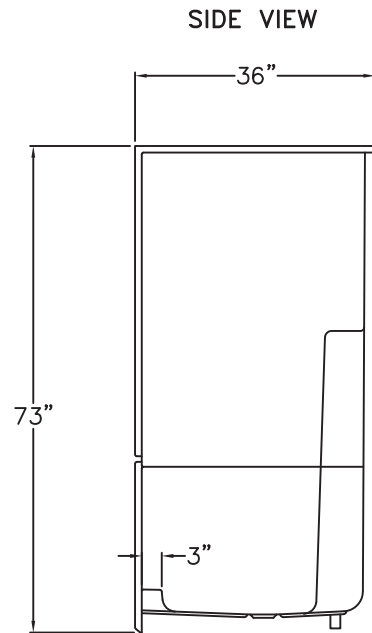
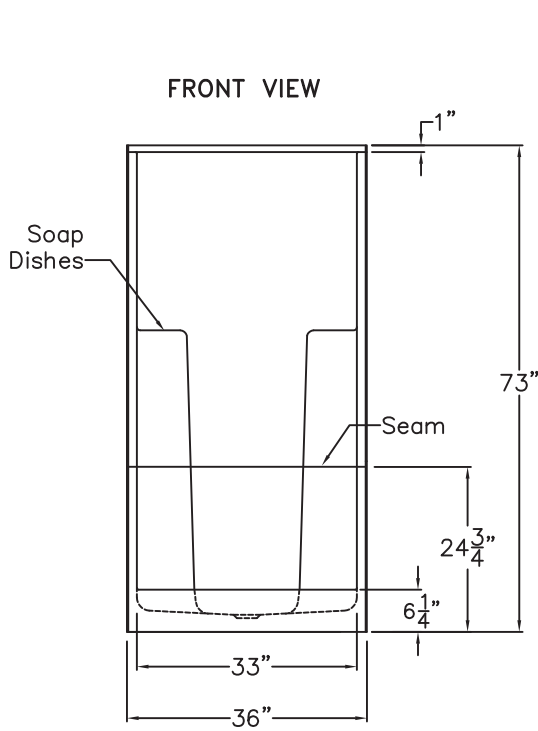


LUXURY ACRYLIC SERIES

SUBMITTAL DATA



Smooth Wall Sectional Acrylic Shower

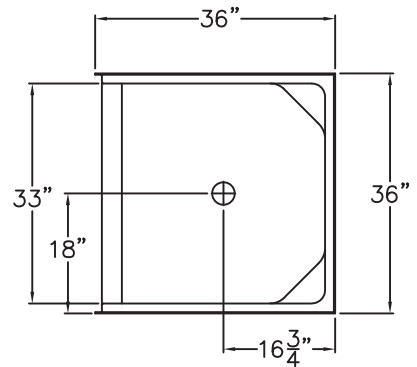
The shower enclosure shall be Praxis model SKD365 2P center drain. Finished surface shall be sanitary grade applied acrylic. The unit shall have outside dimensions of 36" x 36" x 73".

The unit shall meet IAPMOZ124-2011, and CSA B45.5-11.

The unit shall be equipped with the following factory installed accessories:

- 1) Two molded soap dishes,
- 2) Center drain location,
- 3) Two piece sectional design,
- 4) 6 1/4" Threshold.

TOP VIEW



DUE TO THE NATURE OF THE MATERIALS
DIMENSIONS MAY VARY ± 1/2"

Model:	PRAXIS	
Approved by Print Name:	Drawing#: SKD365 2P	
Approved by Signature:	Date Approved:	Date: 7-18-96 Revised: 11-10-16
Rep.:	Wholesaler:	Quote No.:

PRAXIS INDUSTRIES, INC.
435 INDUSTRIAL RD - SAVANNAH, TN 38372
1 (800) 443-7269 - FAX (901) 925-4290