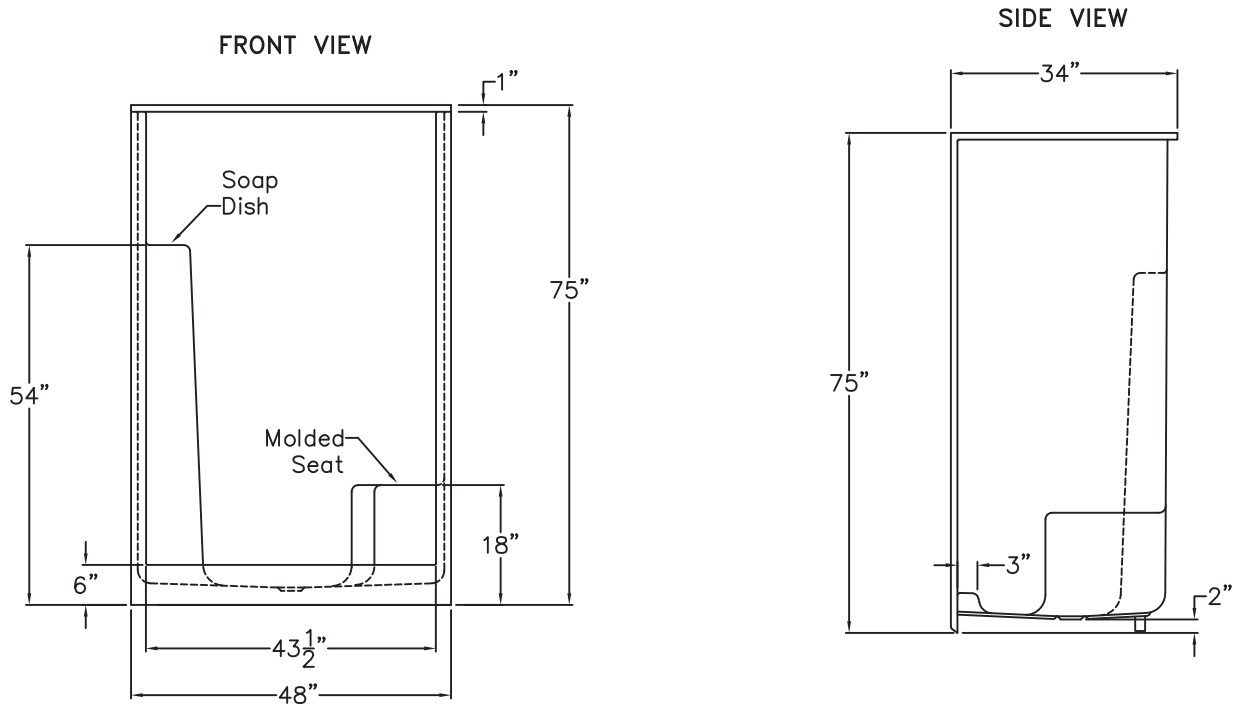


LUXURY ACRYLIC SERIES

SUBMITTAL DATA



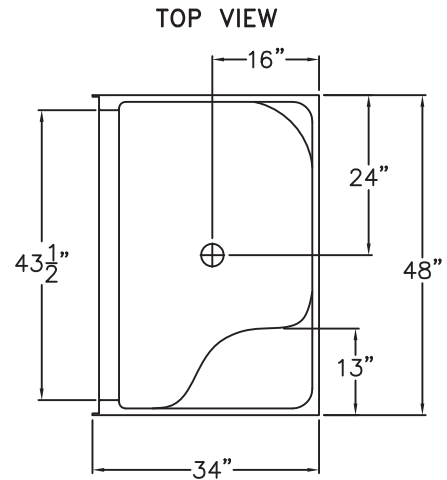
Smooth Wall Acrylic Shower

The tub shower enclosure shall be Praxis model S676 center drain. Finished surface shall be sanitary grade applied acrylic. The unit shall have outside dimensions of 48" x 34" x 75".

The unit shall meet IAPMOZ124-2011, and CSA B45.5-11.

The unit shall be equipped with the following factory installed accessories:

- 1) One molded soap ledge,
- 2) One molded seat on right,
- 3) Center drain location,
- 4) 6" Threshold.



DUE TO THE NATURE OF THE MATERIALS
DIMENSIONS MAY VARY ± 1/2"

Model:	PRAXIS	
Approved by Print Name:	Drawing#: S676	
Approved by Signature:	Date Approved:	Date: 7-18-96 Revised: 11-10-16
Rep.:	Wholesaler:	Quote No.:

PRAXIS INDUSTRIES, INC.
435 INDUSTRIAL RD - SAVANNAH, TN 38372
1 (800) 443-7269 - FAX (901) 925-4290